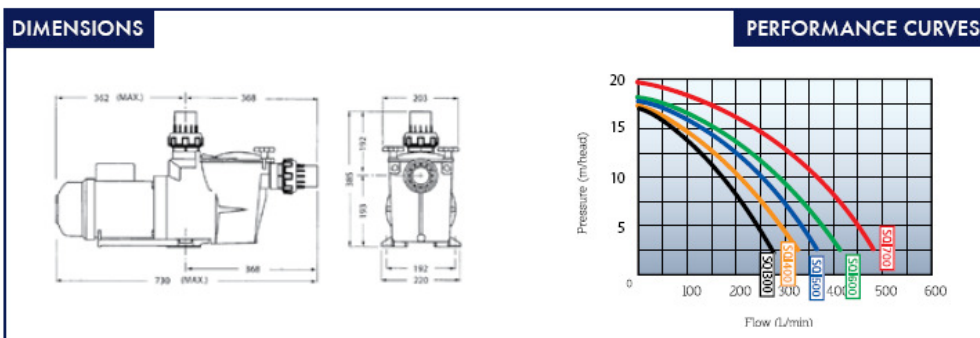


Quietline SQL Series Pumps

Code	Model	Product Description
1368	SQL-300	Input 1170w / Output 550w - 0.75hp
1374	SQL-400	Input 1200w / Output 750w - 1.0hp
1375	SQL-500	Input 1300w / Output 930w - 1.25hp
1376	SQL-600	Input 1550w / Output 1100w - 1.50hp
1377	SQL-700	Input 2000w / Output 1500w - 2.0hp
1378	SQL-600	1.1kW / 1.5hp - 3 Phase
1379	SQL-700	1.5kW / 2.0hp - 3 Phase

Quietline SQ/PM - Replacement Pumps

1384	SQI-400/PM-40	Input 1200w / Output 750w - 1.0hp
1385	SQI-500/PM-50	Input 1300w / Output 930w - 1.25hp
1386	SQI-600/PM-60	Input 1550w / Output 1100w - 1.50hp
1387	SQI-700/PM-70	Input 2000w / Output 1500w - 2.0hp



MODEL	SQI-400	SQI-500	SQI-600	SQI-700
Horse Power Output	1.0	1.25	1.5	2.0
kW Output	0.75	0.96	1.1	1.5
Min. Suction Pipe Size (mm)	40	40 - 50	40 - 50	50 only

Code	Weight (kg)	Dimensions (mm) (L x W x H)
1374	16.6	720 x 220 x 340
1375	18	720 x 220 x 340
1376	18.4	720 x 220 x 340
1377	18.6	720 x 220 x 340

Maximum number of 40mm Poolrite Venturi Spa Jets for each pump at minimal head loss

SQI-400	SQI-500	SQI-600	SQI-700
4	5	6	8